



OMNICHECK 360° VISION SYSTEM



360° VISION SYSTEM

Inspects for fill level, cap defects, label defects, missing/broken tamper-evident bands and code verification at 1,600 containers per minute.

MANUFACTURED IN NORTH AMERICA

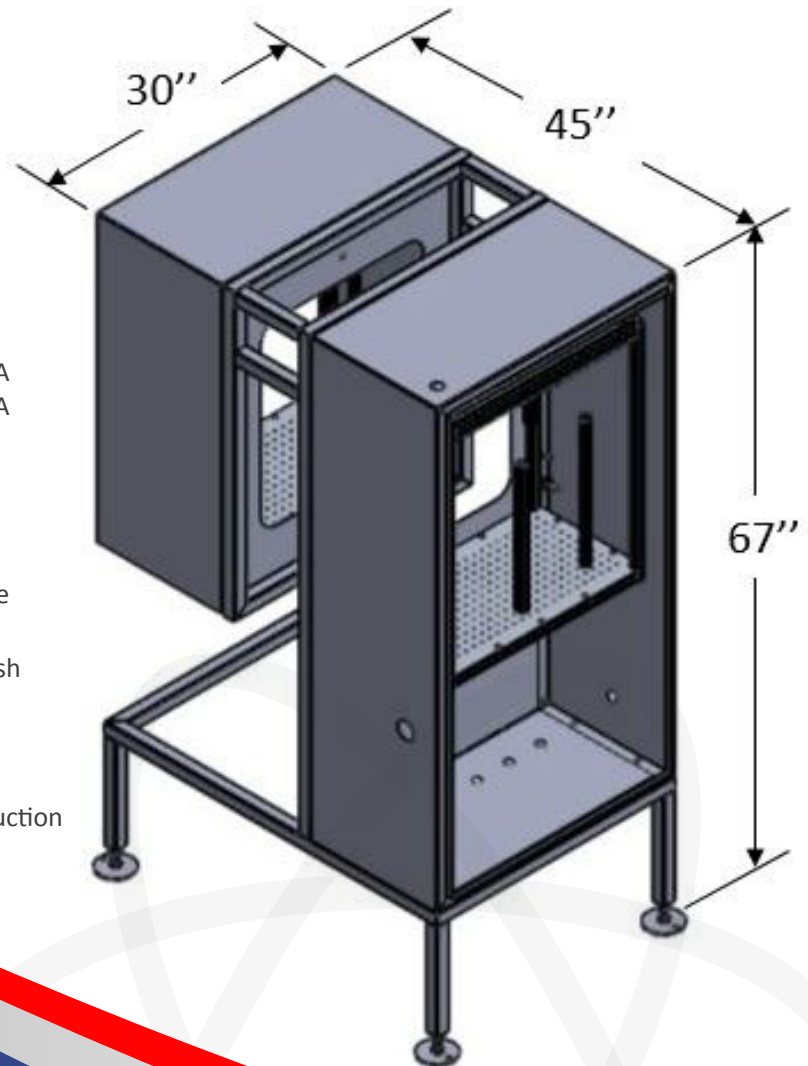
 **CALL (855) 921-9900
FOR CONSULTATION**

OMNICHECK 360° VISION SYSTEM

System Highlights

- 100% Automatic Product Inspection
- Multiple High-Resolution Camera Configurations
- Capping & Crown Defects
- Cap & Crown Color
- Label Inspection
- Fill Level Inspection
- Foam Inspection
- Foreign Crown Inspection
- Bar Code Inspection
- Speeds Up to 1,600 CPM
- High-Resolution Encoder Tracking
- 22" HMI w/ Remote Access
- IP 65 Electronics Enclosure
- FDA 21 CFR Part 11 Compliant
- GMP Design

Dimensions



Electrical Requirements

115 VAC 50-60 Hz, 10A
230 VAC 50-60 Hz, 10A

Operating Temp.

32°F to 113°F

Operating Speed

Up to 1,600 CPM

Rejector

Omniline Low Pressure
Impulse Rejector

Display Languages

English, French, Spanish

Environmental Standards

Nema 4X / IP65

Materials

Stainless Steel Construction

Contact Details



Omnifission USA
US Sales Office
2800 E. Broadway Suite C-160
Pearland, TX 77581
855.921.9900
www.omnifissionusa.com



Omnifission Inc.
1900 Clark Blvd, Unit 1 & 2
Brampton, ON, L6T OE9
www.omnifission.com